



Steering Wheels



VERO VOLANTE ITALIANO

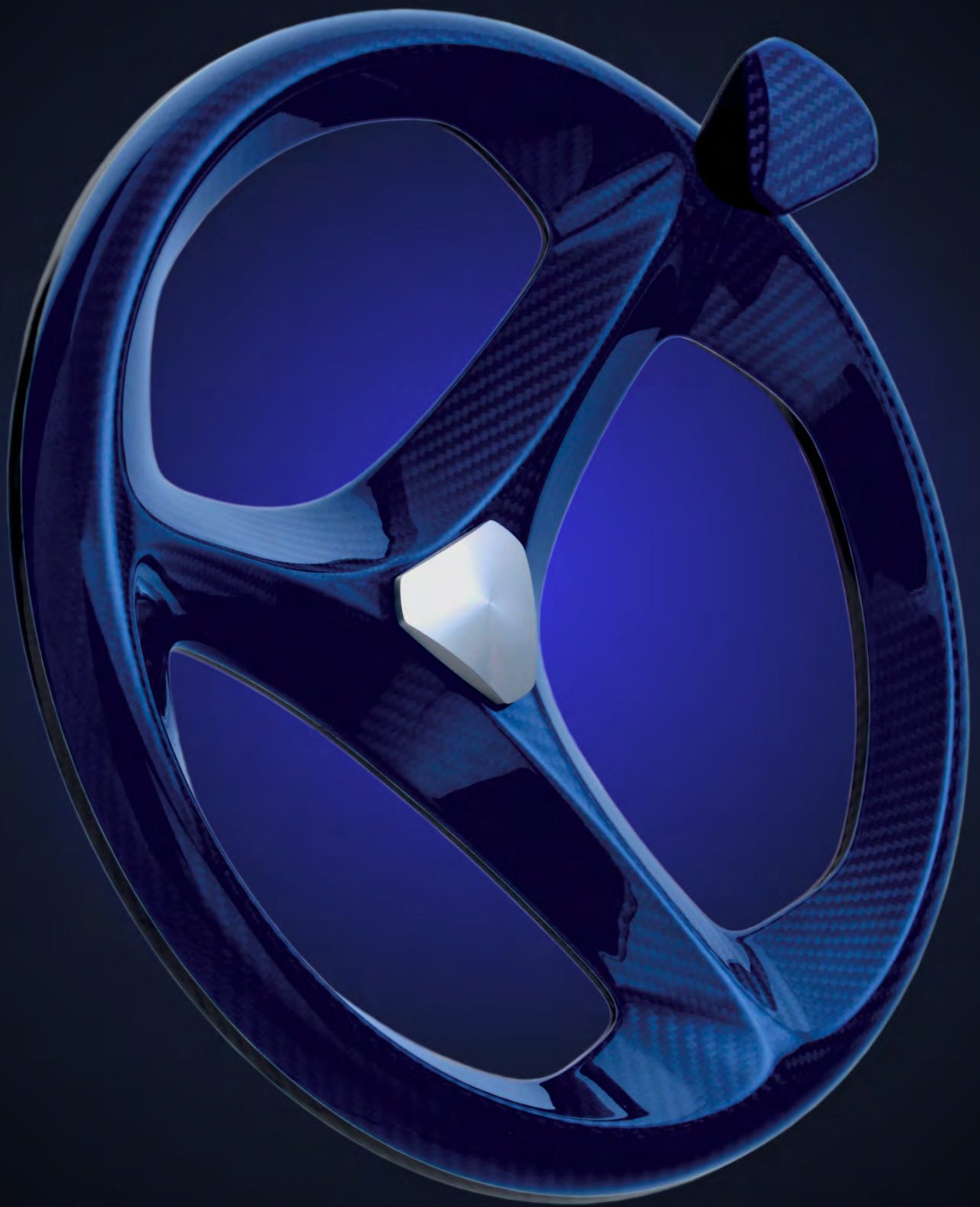
“VERO VOLANTE ITALIANO”

is the registered trademark which distinguishes the steering wheels for pleasure boats produced by Ultraflex.

They are conceived by Italian designers, engineered and manufactured in Italy by employing genuine Italian components and technologies according to Ultraflex quality management system.

All ULTRAFLEX steering wheels meet the directive 2013/53/EU requirements about pleasure boats.

All steering wheels are CE, UKCA and NMMA marked in conformity with the ISO 23411 and ABYC P22 safety standards.



BOCCANEGRA



VERO VOLANTE ITALIANO




CHRISTIANGRANDE
DesignWorks

Boccanegra L B/L



Ø 350 mm (13.8")



89 mm (3.5") depth



Boccanegra L B/L 67460P
Black leather grip, stainless steel spokes,
black leather cover



Boccanegra L W/L 67295B
White leather grip, stainless steel spokes,
white leather cover



Boccanegra L B/CH 20944Z
Black leather grip, stainless steel spokes,
chrome plated cover



Boccanegra V B/P 68714A
Black vinyl grip, stainless steel spokes,
black painted cover

Grip material	Leather or vinyl
Grip color	Black or white
Spokes	Polished stainless steel
Center cap	Leather or painted
Floating cap	n.a.
Standard 3/4" hubv	Included
Certifications & standards	CE, UKCA, NMMA; ISO 23411 & ABYC P22

ODERICO



VERO VOLANTE ITALIANO



Oderico L B/SS/CH



Ø 350 mm (13.8")



75 mm (2.95") depth



Oderico L B/SS/CH 26135W
 Black leather grip, stainless steel spokes,
 black leather cover



Oderico V B/SS/CH 26136Y
 Black vinyl grip, stainless steel spokes,
 black leather cover



Grip material	Leather or vinyl
Grip color	Black
Spokes	Polished & black sandblasted stainless steel
Center cap	Black leather
Floating cap	Available upon request
Standard 3/4" hub	Included
Certifications & standards	CE, UKCA, NMMA; ISO 23411 & ABYC P22

VENDRAMIN



VERO VOLANTE ITALIANO



Vendramin L B/SS/RG



Ø 350 mm (13.8")



97 mm (3.8") depth



Vendramin L B/SS/RG 25894N
 Black leather grip, stainless steel spokes,
 stainless steel cover, rose gold painted inserts



Vendramin V B/SS/PB 25913P
 Black vinyl grip, stainless steel spokes, stainless
 steel cover, polished black inserts



Vendramin PU B/SS/RG 25893L
 Black PU grip, stainless steel spokes,
 stainless steel cover, rose gold painted inserts



Vendramin PU B/SS/PB 25912M
 Black PU grip, stainless steel spokes,
 stainless steel cover, polished black inserts

Grip material	Leather or vinyl or polyurethane
Grip color	Black
Spokes	Polished stainless steel and inserts
Center cap	Leather or painted
Floating cap	Available upon request
Standard 3/4" hub	Included
Certifications & standards	CE, UKCA, NMMA; ISO 23411 & ABYC P22

VENDRAMIN



VERO VOLANTE ITALIANO



Vendramin L B/MB/PB



Ø 350 mm (13.8")



97 mm (3.8") depth



Vendramin L B/MB/PB 26137A

Black leather grip, black stainless steel spokes, stainless steel cover, polished black inserts



Vendramin V B/MB/VE 26138C

Black vinyl grip, black stainless steel spokes, stainless steel cover, silver inserts



Vendramin PU B/MB/PB 26139E

Black PU grip, stainless steel black spokes, stainless steel cover, polished black inserts



Vendramin PU B/MB/VE 26140N

Black PU grip, black stainless steel spokes, stainless steel cover, silver inserts

Grip material	Leather or vinyl or polyurethane
Grip color	Black
Spokes	Stainless steel and inserts
Center cap	Leather or painted
Floating cap	Available upon request
Standard 3/4" hub	Included
Certifications & standards	CE, UKCA, NMMA; ISO 23411 & ABYC P22

SORANZO



VERO VOLANTE ITALIANO




CHRISTIANGRANDE
DesignWorks

Soranzo L B/L/L



Ø 350 mm (13.8")



97 mm (3.8") depth



Soranzo L B/L/L 24725H
 Black leather grip, grey stitches,
 stainless steel spokes, black leather cover



Soranzo L L/L/L 24727M
 Tan leather grip, cream stitches,
 stainless steel spokes, tan leather painted cover



Soranzo L BL/L/L 24726K
 Blue leather grip, light blue stitches,
 stainless steel spokes, blue leather cover



Soranzo V B/B/L 24728P
 Black vinyl grip, light blue stitches,
 stainless steel spokes, black painted cover

Grip material	Leather or vinyl
Grip color	Black, tan leather, blue
Spokes	Polished stainless steel
Center cap	Leather with embossed logo
Floating cap	Available upon request
Standard 3/4" hub	Included
Certifications & standards	CE, UKCA, NMMA; ISO 23411 & ABYC P22

BARBARIGO



VERO VOLANTE ITALIANO



Barbarigo L B/SS/B



Ø 350 mm (13.8")



97 mm (3.8") depth



Barbarigo L B/SS/B 25895R
 Black leather grip, stainless steel spokes,
 stainless steel cover



Barbarigo V B/SS/B 25932U
 Black vinyl grip, stainless steel spokes, stainless
 steel cover



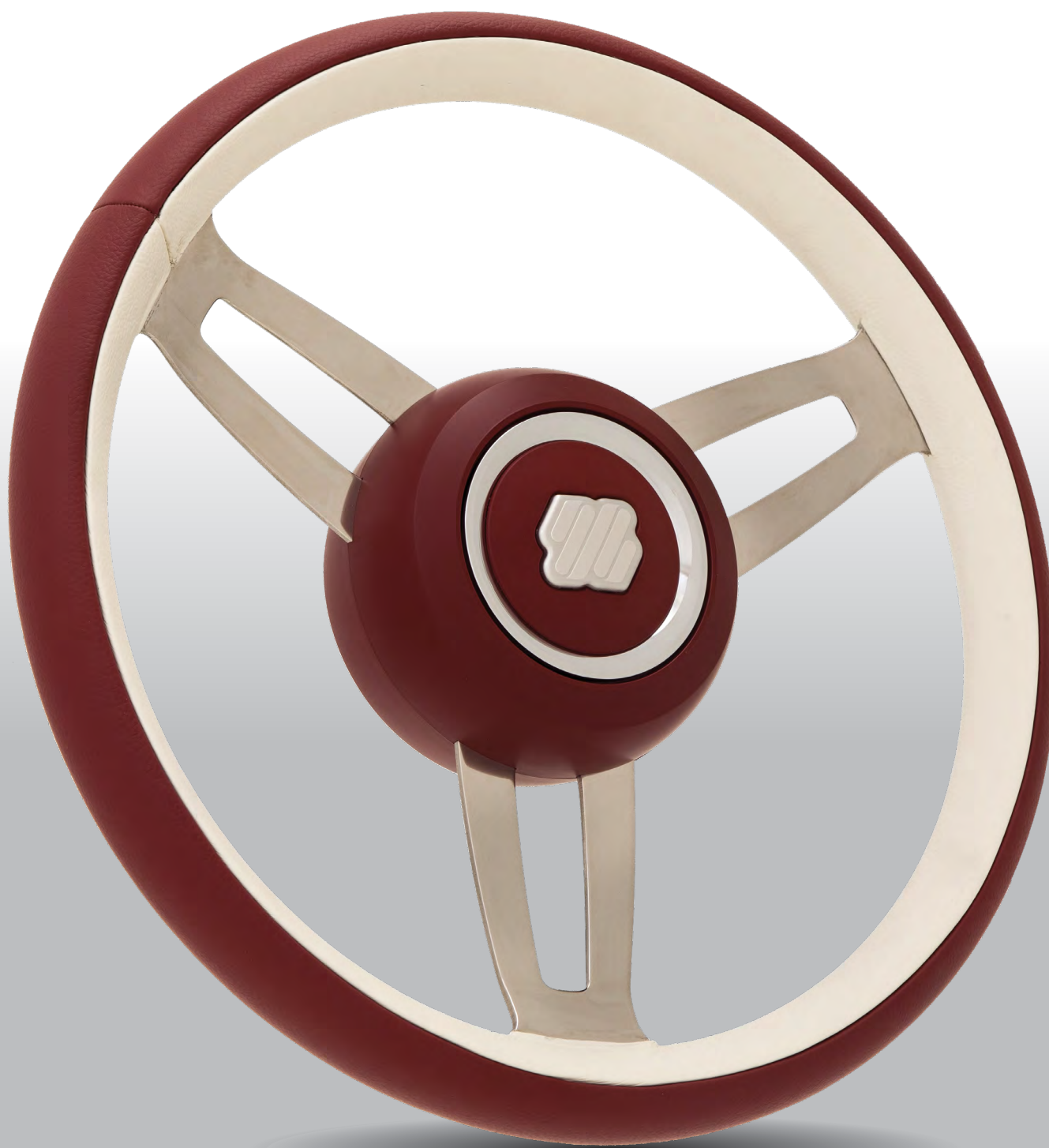
Barbarigo V C/SS/C 25914S
 Cream vinyl grip, stainless steel spokes,
 stainless steel cover

Grip material	Leather or vinyl
Grip color	Black or cream
Spokes	Polished stainless steel
Center cap	Leather with embossed logo
Floating cap	Available upon request
Standard 3/4" hub	Included
Certifications & standards	CE, UKCA, NMMA; ISO 23411 & ABYC P22

FREGOSO



VERO VOLANTE ITALIANO




CHRISTIANGRANDE
DesignWorks

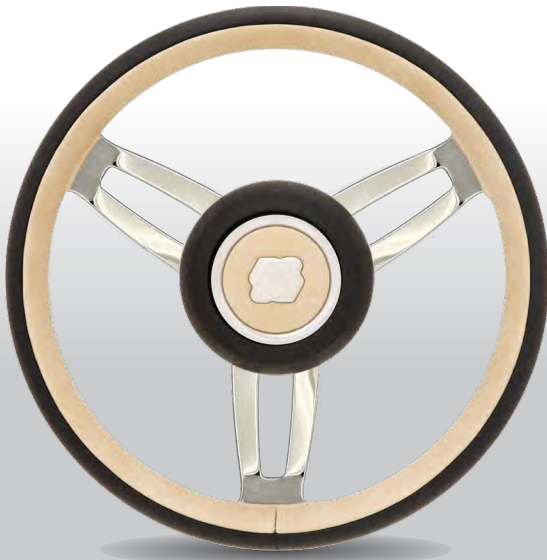
Fregoso LL AW/A/A



Ø 350 mm (13.8")



81 mm (3.2") depth



Fregoso LL BC/B/C 24739V

Black leather external grip, sand color leather internal grip, stainless steel spokes, black painted cover



Fregoso LL BG/B/G 25929F

Black leather external grip, grey leather internal grip, stainless steel spokes, black painted cover



Fregoso LL AW/A/A 24741F

Amaranth color leather external grip, white leather internal grip, stainless steel spokes, amaranth painted cover

Grip material	Leather
Grip color	Black and sand, black and grey, amaranth and white
Spokes	Polished stainless steel
Center cap	Grey or sand color leather or amaranth painted
Floating cap	n.a.
Standard 3/4" hub	Included
QDH hub	Available upon request (to be specified when ordering the wheel)
Certifications & standards	CE, UKCA, NMMA; ISO 23411 & ABYC P22

GUARCO



VERO VOLANTE ITALIANO



Guarco L B/SS/CH



Ø 350 mm (13.8")



96 mm (3.8") depth



Guarco L B/SS/CH 24737R

Black leather grip, grey stitches,
stainless steel spokes, chrome plated cover



Guarco L B/SS/B 24736N

Black leather grip, black stitches,
stainless steel spokes, matte black painted cover



Guarco L B/SS/B

Grip material	Leather
Grip color	Black
Spokes	Polished stainless steel
Center cap	Black polished with printed logo
Floating cap	Available upon request
Standard 3/4" hub	Included
Certifications & standards	CE, UKCA, NMMA; ISO 23411 & ABYC P22

SPINOLA



VERO VOLANTE ITALIANO



Spinola L B/P



Ø 350 mm (13.8")



82 mm (3.22") depth



Spinola L B/P 23902Y

Black leather grip, polished stainless steel spokes,
stainless steel cover



Spinola V B/P 23901W

Black vinyl grip, polished stainless steel spokes,
stainless steel cover



Spinola L B/BRU 23900U

Black leather grip, brushed SS spokes,
stainless steel cover



Spinola V B/BRU 23899N

Black vinyl grip, brushed stainless steel spokes,
stainless steel cover

Grip material	Leather or vinyl
Grip color	Black
Spokes	Polished or brushed stainless steel
Center cap	Leather with embossed logo
Floating cap	Available upon request
Standard 3/4" hub	Included
Certifications & standards	CE, UKCA, NMMA; ISO 23411 & ABYC P22

TRON



VERO VOLANTE ITALIANO



Tron L B/SS/PU



Ø 350 mm (13.8")



98 mm (3.85") depth



Tron L B/SS/PU 22125W
 Black leather grip, stainless steel spokes,
 black polyurethane cover



Tron V B/SS/PU 22321W
 Black vinyl grip, stainless steel spokes,
 black polyurethane cover



Tron PU B/SS/PU 22124U
 Black polyurethane grip, stainless steel spokes,
 black polyurethane cover

Grip material	Leather or vinyl or polyurethane
Grip color	Black
Spokes	Polished stainless steel
Center cap	Chrome plated
Floating cap	Available upon request
Standard 3/4" hub	Included
Certifications & standards	CE, UKCA, NMMA; ISO 23411 & ABYC P22

DOLFIN



VERO VOLANTE ITALIANO



Dolfin L B/B/Pw



Ø 350 mm (13.8")



93 mm (3.66") depth



Dolphin L B/B/B 23023T

Black leather grip, stainless steel black spokes with black inserts, black painted cover



Dolphin L B/B/PW 23591H

Black leather grip, stainless steel black spokes with pewter look painted inserts and cover



Dolphin L B/SS/B 69562J

Black leather grip, stainless steel polished spokes with black inserts, black painted cover



Dolphin V B/SS/B 69561G

Black vinyl grip, stainless steel polished spokes with black inserts, black painted cover

Grip material	Leather or vinyl
Grip color	Black
Spokes	Stainless steel polished or black
Center cap	Black painted
Floating cap	Available upon request
Standard 3/4" hub	Included
Certifications & standards	CE, UKCA, NMMA; ISO 23411 & ABYC P22

VIVALDI



VERO VOLANTE ITALIANO




CHRISTIANGRANDE
DesignWorks

Vivaldi L B/L/L



Ø 350 mm (13.8")



95 mm (3.74") depth



Vivaldi L B/L/L 24721Z
 Black leather grip,
 stainless steel spokes, black leather cover



VIVALDI V B/B/L 24723D
 Black vinyl grip,
 stainless steel spokes, black painted cover



Vivaldi PU B/B/L 24724F
 Black polyurethane grip, stainless steel spokes,
 black painted cover



Vivaldi V W/W/SS 24722B
 White vinyl grip, stainless steel spokes,
 white painted cover

Grip material	Leather or vinyl or polyurethane
Grip color	Black or white
Spokes	Polished stainless steel
Center cap	Leather or stainless steel
Floating cap	Available upon request
Standard 3/4" hub	Included
Certifications & standards	CE, UKCA, NMMA; ISO 23411 & ABYC P22

MOROSINI



VERO VOLANTE ITALIANO




CHRISTIANDRADE
DesignWorks

Morosini L B/CH/L



Ø 350 mm (13.8")



82 mm (3.23") depth



Morosini L B/CH/L 67297F
Black leather grip, stainless steel spokes,
chrome plated cover



Morosini V B/CH/L 68000H
Black vinyl grip, stainless steel spokes,
chrome plated cover



Morosini PU B/CH/L 67461S
Black polyurethane grip, stainless steel
spokes, chrome plated cover



Morosini L C/P/P 67299K
Cream leather grip, stainless steel spokes,
cream painted cover

Grip material	Leather or vinyl or polyurethane
Grip color	Black, cream
Spokes	Polished stainless steel
Center cap	Leather or painted
Floating cap	n.a.
Standard 3/4" hub	Included
QDH hub	Available upon request (to be specified when ordering the wheel)
Certifications & standards	CE, UKCA, NMMA; ISO 23411 & ABYC P22

MOROSINI



VERO VOLANTE ITALIANO




CHRISTIANGRANDE
DesignWorks

Morosini M/CH/BR



Ø 350 mm (13.8")



82 mm (3.23") depth



Morosini M/CH/BR 68378L
Mahogany grip,
stainless steel spokes, chrome plated cover



Morosini V W/P/P 68831E
White vinyl grip, stainless steel spokes, white painted cover
Morosini L W/P/P 67298H
White leather grip, stainless steel spokes, white painted cover



Morosini L G/CH/L 67300R
Grey leather grip,
stainless steel spokes, chrome plated cover



Morosini V G/CH/V 68830C
Grey vinyl grip,
stainless steel spokes, chrome plated cover

Grip material	Leather or vinyl or mahogany
Grip color	Grey, white, mahogany
Spokes	Polished stainless steel
Center cap	Leather or painted or burl wood
Floating cap	n.a.
Standard 3/4" hub	Included
QDH hub	Available upon request (to be specified when ordering the wheel)
Certifications & standards	CE, UKCA, NMMA; ISO 23411 & ABYC P22

GRITTI



VERO VOLANTE ITALIANO



Gritti Carbon LC B/SS/B



Ø 350 mm (13.8")



86 mm (3.4") depth



Gritti Carbon LC B/SS/B 24719N
 Black leather and glossy carbon grip,
 stainless steel spokes and cover



Gritti Carbon LC B/SS/R 24921H
 Black leather with red stiches and matt carbon grip,
 stainless steel spokes and cover



Gritti Alutec LA B/SS/B 24720X
 Black perforated leather and alutec grip,
 stainless steel spokes and cover

Grip material	Leather and carbon or leather and alutec
Grip color	Black and carbon or black and alutec
Spokes	Polished stainless steel
Center cap	Leather with embossed logo
Floating cap	Available upon request
Standard 3/4" hub	Included
Certifications & standards	CE, UKCA, NMMA; ISO 23411 & ABYC P22

FOSCARI



VERO VOLANTE ITALIANO




CHRISTIANGRANDE
DesignWorks

Foscari V B/R



Ø 350 mm (13.8")



82 mm (3.23") depth



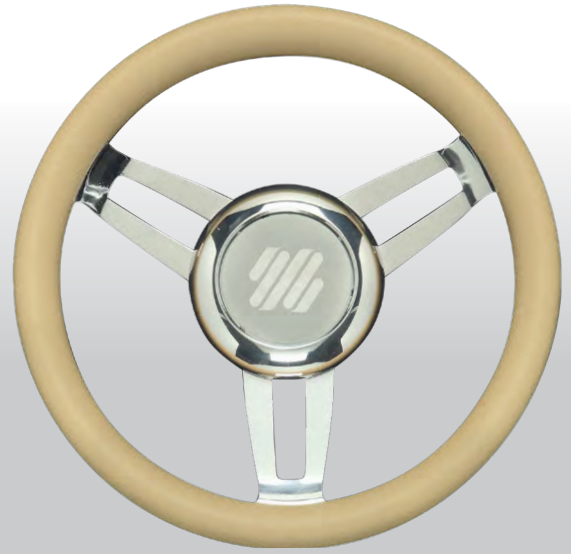
Foscari V B/SS/SS 21552L
 Black vinyl grip, red stitches,
 stainless steel spokes, stainless steel cover



Foscari PU B/SS/SS 67303X
 Black polyurethane grip, stainless steel spokes,
 stainless steel cover



Foscari PU W/SS/SS 67302V
 White polyurethane grip, stainless steel spokes,
 stainless steel cover



Foscari PU C/SS/SS 67304Z
 Cream polyurethane grip, stainless steel spokes,
 stainless steel cover

Grip material	Vinyl or polyurethane
Grip color	Black, white, cream
Spokes	Polished stainless steel
Center cap	Stainless steel
Floating cap	n.a.
Standard 3/4" hub	Included
QDH hub	Available upon request (to be specified when ordering the wheel)
Certifications & standards	CE, UKCA, NMMA; ISO 23411 & ABYC P22

ADORNO



VERO VOLANTE ITALIANO



Adorno L B/CH



Ø 350 mm (13.8")



81 mm (3.19") depth



Adorno L B/SS/SS 69169G
Black leather grip, stainless steel spokes,
stainless steel cover



Adorno PU B/SS/SS 69167C
Black polyurethane grip, stainless steel spokes,
stainless steel cover



Grip material	Leather or polyurethane
Grip color	Black
Spokes	Polished stainless steel
Center cap	Polished stainless steel
Floating cap	n.a.
Standard 3/4" hub	Included
QDH hub	Available upon request (to be specified when ordering the wheel)
Certifications & standards	CE, UKCA, NMMA; ISO 23411 & ABYC P22

IMPERIALE



VERO VOLANTE ITALIANO



Imperiale V B/SS/P



Ø 350 mm (13.8")



68 mm (2.68") depth



Imperiale V B/SS/P 21299B
 Black vinyl grip,
 brushed stainless steel spokes with polished
 edges, black painted cover



Imperiale PU B/S/P 21300G
 Black polyurethane grip,
 brushed aluminum spokes with polished edges,
 black painted cover



Grip material	Vinyl or polyurethane
Grip color	Black
Spokes	Brushed stainless steel or brushed silver aluminum with polished edges
Center cap	Chrome plated
Floating cap	n.a.
Standard 3/4" hub	Included
Certifications & standards	CE, UKCA, NMMA; ISO 23411 & ABYC P22

MANIN



VERO VOLANTE ITALIANO



Manin PU B/S



Ø 350 mm (13.8")



90 mm (3.54") depth



Manin PU B/SS/CH 68204A
 Black polyurethane grip, stainless steel spokes,
 chrome plated cover



Manin PU B/S/CH 68205C
 Black polyurethane grip, silver aluminum spokes,
 chrome plated cover



Manin PU B/B/VE 25934Y
 Black polyurethane grip, black aluminum spokes,
 silver painted cover



Manin PU B/SS/VE 25933W
 Black polyurethane grip, SS polished spokes,
 silver painted cover

Grip material	Polyurethane
Grip color	Black
Spokes	Polished stainless steel or silver or black anodized aluminum
Center cap	Chrome plated or painted
Floating cap	Available upon request
Standard 3/4" hub	Included
QDH hub	Available upon request (to be specified when ordering the wheel)
Certifications & standards	CE, UKCA, NMMA; ISO 23411 & ABYC P22

GRIMANI



VERO VOLANTE ITALIANO



Grimani PU B/S/VE



Ø 350 mm (13.8")



90 mm (3.54") depth



Grimani PU B/SS/CH 69198P

Black polyurethane grip with chrome plated inserts, stainless steel spokes, chrome plated cover



Grimani PU B/S/VE 69297S

Black polyurethane grip with silver painted inserts, silver aluminum spokes, silver painted cover



Grimani PU B/B/CH 69298U

Black polyurethane grip with chrome plated inserts, black aluminum spokes, chrome plated cover



Grimani PU B/B/PB 25936C

Black polyurethane grip with polished black inserts, black aluminum spokes, black polished cover

Grip material	Polyurethane with inserts
Grip color	Black with silver or polished black or chrome plated inserts
Spokes	Polished stainless steel or silver or black anodized aluminum
Center cap	Black painted
Floating cap	Available upon request (to be specified when ordering the wheel)
Standard 3/4" hub	Included
QDH hub	Available upon request (to be specified when ordering the wheel)
Certifications & Standards	CE, UKCA, NMMA; ISO 23411 & ABYC P22

GRIMANI



VERO VOLANTE ITALIANO



Grimani PU B/S/R



Ø 350 mm (13.8")



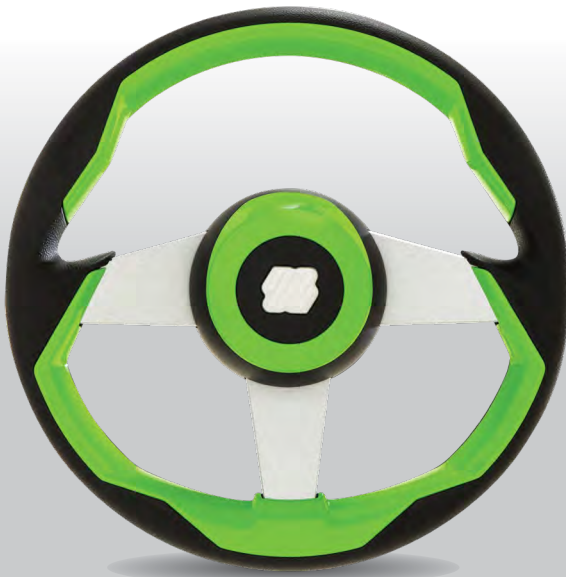
90 mm (3.54") depth



Grimani PU B/S/BL 69480G
 Black polyurethane grip with blue inserts,
 silver aluminum spokes,
 blue painted cover



Grimani PU B/S/R 69481J
 Black polyurethane grip with red inserts,
 silver aluminum spokes,
 red painted cover



Grimani PU B/S/KG 20836W
 Black polyurethane grip with green inserts,
 silver aluminum spokes,
 green painted cover



Grimani PU B/S/Y 69482L
 Black polyurethane grip with yellow inserts,
 silver aluminum spokes,
 yellow painted cover

Grip material	Polyurethane with inserts
Grip color	Black with colored inserts
Spokes	Silver anodized aluminum
Center cap	Black painted
Floating cap	Available upon request (to be specified when ordering the wheel)
Standard 3/4" hub	Included
QDH hub	Available upon request (to be specified when ordering the wheel)
Certifications & Standards	CE, UKCA, NMMA; ISO 23411 & ABYC P22

LOREDAN



VERO VOLANTE ITALIANO



Loredan PU B/SS/CH



Ø 350 mm (13.8")



92,5 mm (3.64") depth



Loredan PU B/SS/CH 69557S

Black polyurethane grip with chrome plated inserts, stainless steel spokes, chrome plated cover



Loredan PU B/S/CH 69558U

Black polyurethane grip with chrome plated inserts, silver aluminum spokes, chrome plated cover



Loredan PU B/B/CH 69559W

Black polyurethane grip with chrome plated inserts, black aluminum spokes, chrome plated cover



Loredan PU B/B/PB 25937E

Black polyurethane grip with polished black inserts, black aluminum spokes, polished black cover

Grip material	Polyurethane with inserts
Grip color	Black with chrome plated or polished black inserts
Spokes	Polished stainless steel or silver or black anodized aluminum
Center cap	Black painted
Floating cap	Available upon request (to be specified when ordering the wheel)
Standard 3/4" hub	Included
QDH hub	Available upon request (to be specified when ordering the wheel)
Certifications & Standards	CE, UKCA, NMMA; ISO 23411 & ABYC P22

DORIA



VERO VOLANTE ITALIANO



Doria PU B/S/R



Ø 350 mm (13.8")



74 mm (2.91") depth



Doria PU B/S/R 67309K

Black polyurethane grip with red painted inserts,
silver painted spokes



Doria PU B/S/B 67465A

Black polyurethane grip with black painted inserts,
silver painted spokes



Doria PU B/CH/CH 69706G

Black polyurethane grip with chrome plated inserts,
chrome plated spokes

Grip material	Polyurethane with inserts
Grip color	Black with red or black or chrome plated inserts
Spokes	Silver painted or chrome plated
Center cap	Red or black painted
Floating cap	n.a.
Standard 3/4" hub	Included
Certifications & Standards	CE, UKCA, NMMA; ISO 23411 & ABYC P22

CAPTIVA

Heated grip steering wheel



VERO VOLANTE ITALIANO



Captiva HU/B



Ø 350 mm (13.8")



85 mm (3.34") depth



Captiva HU/B 24995P

Heated grip steering wheel, stainless steel and TPU grip and spokes, black inserts



Captiva HU/BK 26143V

Heated grip steering wheel, stainless steel and TPU grip and spokes, black inserts. Knob included.



- Power switch embedded in the spoke
- Two available heating modes: **COMFORT** and **HIGH**
- Sliding contact power supply
- LED dimmer (day/night)
- Low voltage monitoring and automatic disconnection if low voltage occurs
- 12V DC and 24V DC power supply (50 W draw)
- Fits front mount Ultraflex and Seastar™ hydraulic helmets
- Fits Ultraflex electronic tilt helmets
- Fits all Ultraflex tilt mechanisms, featuring wire internal routing
- Class IP68
- Patented

Grip material	Polished stainless steel and TPU (rear)
Grip color	Polished stainless steel and black TPU
Spokes	Polished stainless steel and TPU with black inserts
Center nut	Polished stainless steel
Knob	Included in Captiva HU/BK
Knob/SK 25458S	Speed knob for Captiva B ordered as retrofit
Floating cap	n.a.
Standard 3/4" hub	Included
Certificatio & standards	CE, UKCA, NMMA; ISO 23411 & ABYC P22

CAPTIVA



VERO VOLANTE ITALIANO



Captiva BK



Ø 350 mm (13.8")



85 mm (3.34") depth



Captiva B 24994M
Stainless steel and TPU grip,
stainless steel and TPU spokes
with black inserts



Captiva BK 25454H
Stainless steel and TPU grip,
stainless steel and TPU spokes
with black inserts. Knob included.



Grip material	Polished stainless steel and TPU (rear)
Grip color	Polished stainless steel and black TPU
Spokes	Polished stainless steel and TPU with black inserts
Center nut	Polished stainless steel
Knob	Included in Captiva BK
Floating cap	n.a.
Standard 3/4" hub	Included
Certification & standards	CE, UKCA, NMMA; ISO 23411 & ABYC P22

CAPTIVA



VERO VOLANTE ITALIANO



Captiva G



Ø 350 mm (13.8")



85 mm (3.34") depth



Captiva G 25853Y
Stainless steel and TPU grip,
stainless steel and TPU spokes
with grey inserts.



Captiva GK 25851U
Stainless steel and TPU grip, stainless steel
and TPU spokes with grey inserts.
Knob included.



Captiva SF 25852W
Stainless steel and TPU grip,
stainless steel and TPU spokes
with seafoam color inserts.



Captiva SFK 25850S
Stainless steel and TPU grip, stainless steel
and TPU spokes with seafoam color inserts.
Knob included.

Grip material	Polished stainless steel and TPU (rear)
Grip color	Polished stainless steel and black TPU
Spokes	Polished stainless steel and TPU with grey or seafoam color inserts
Center nut	Polished stainless steel
Knob	Included in Captiva GK e Captiva SFK
Floating cap	n.a.
Standard 3/4" hub	Included
Certification & standards	CE, UKCA, NMMA; ISO 23411 & ABYC P22

CONTARINI



VERO VOLANTE ITALIANO



Contarini TPU/SS



Ø 350 mm (13.8")



79.5 mm (3.13") depth



Contarini TPU/SS 69199S
 Black TPU and stainless steel grip,
 stainless steel spokes,
 stainless steel cover



Contarini 69199S with SK Knob 25458S
 Speed knob for Contarini steering wheel
 ordered as retrofit



Grip material	TPU and polished stainless steel
Grip color	Black and polished stainless steel
Spokes	Polished stainless steel
Center cap	Black painted
Floating cap	n.a.
Standard 3/4" hub	Included
Knob/SK 25458S	Speed knob ordered as retrofit
Certifications & standards	CE, UKCA, NMMA; ISO 23411 & ABYC P22

SIESTAKEY



VERO VOLANTE ITALIANO



Siestakey B



Ø 368 mm (14.5")



90 mm (3.54") depth



Siestakey B 68188F
 stainless steel and black TPU grip,
 stainless steel spokes, black cover



Siestakey B 68188F with Knob/SK 25458S
 Speed knob for Siestakey steering wheel
 ordered as retrofit



Grip material	Polished stainless steel and TPU
Grip color	Polished stainless steel and black TPU
Spokes	Polished stainless steel
Center cap	Black
Floating cap	n.a.
Standard 3/4" hub	Included
QDH hub	n.a.
Knob/SK 25458S	Speed knob ordered as retrofit
Certifications & standards	CE, UKCA, NMMA; ISO 23411 & ABYC P22

KEYWEST



VERO VOLANTE ITALIANO



Keywest BLCK



Ø 350 mm (13.8")



96 mm (3.77") depth



Keywest BLCK 25481L
 Polished blue carbon fiber
 and TPU grip and spokes.
 Knob included



Keywest PCK 25479A
 Polished black carbon fiber
 and TPU grip and spokes.
 Knob included



Keywest BLC 25484T
 Polished blue carbon fiber
 and TPU grip and spokes.



Keywest PC 25482N
 Polished black carbon fiber
 and TPU grip and spokes.

Frame	Carbon fiber
Grip color	Blue or black carbon fiber
Spokes	Carbon fiber and TPU
Floating cap	n.a.
Standard 3/4" hub	included
QDH hub	n.a.
Certifications & standards	CE, UKCA, NMMA; ISO 23411 & ABYC P22

KEYWEST



VERO VOLANTE ITALIANO



Keywest GRCK



Ø 350 mm (13.8")



96 mm (3.77") depth



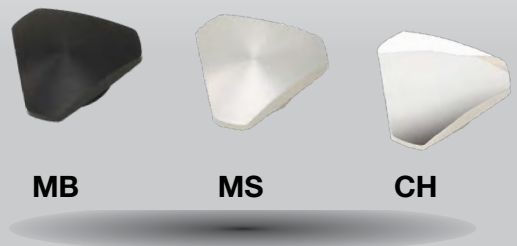
Keywest GRCK 25887S
Polished green carbon fiber
and TPU grip and spokes.
Knob included



Keywest PCBCK 25888U
Polished forged black carbon fiber
and TPU grip and spokes.
Knob included



Keywest MCK 25480J
Matte black carbon fiber
and TPU grip and spokes.
Knob included



Matte black center nut 25945D Available as optional
Silver center nut 25944B Available as optional
Chrome plated center nut 25946F Available as optional

Frame	Carbon fiber
Grip color	Green or black carbon fiber
Spokes	Carbon fiber and TPU
Floating cap	n.a.
Standard 3/4" hub	included
QDH hub	n.a.
Certifications & standards	CE, UKCA, NMMA; ISO 23411 & ABYC P22

FALIER



VERO VOLANTE ITALIANO



Falier V B/BRU/L



Ø 350 mm (13.8")



84 mm (3.3") depth



Falier V B/BRU/L 24733G
 Black vinyl grip with grey stitches,
 stainless steel brushed spokes,
 stainless steel brushed cover



Falier PU B/BRU/B 24734J
 Black polyurethane grip,
 stainless steel brushed spokes,
 stainless steel brushed cover



Falier PU G/BRU/G 24735L
 Grey polyurethane grip,
 stainless steel brushed spokes,
 stainless steel brushed cover

Grip material	Vinyl or polyurethane
Grip color	Black or grey
Spokes	Brushed stainless steel
Center cap	Black or grey leather with embossed logo
Floating cap	Available upon request (to be specified when ordering the wheel)
Standard 3/4" hub	Included
Certifications & Standards	CE, UKCA, NMMA; ISO 23411 & ABYC P22

V75

Polyurethane grip, equidistant spoke steering wheels – hub included



V75 B/VE 25917Y

Ø 350 mm (13.8") - Depth: 98 mm (3.85")
Black polyurethane grip, silver painted spokes,
black cover



V75 B/PB 25918B

Ø 350 mm (13.8") - Depth: 98 mm (3.85")
Black polyurethane grip, polished black spokes,
black cover



V75 B/CH 25976R

Ø 350 mm (13.8") - Depth: 98 mm (3.85")
Black polyurethane grip, chrome painted spokes,
black cover



V75 W/VE 25928D

Ø 350 mm (13.8") - Depth: 98 mm (3.85")
White polyurethane grip, silver painted spokes,
white cover

Grip material	Polyurethane
Grip color	Black or white
Spokes	ABS painted coated body
Floating cap	n.a.
Standard 3/4" hub	Included
QDH hub	n.a.
Certification & standards	CE, UKCA, NMMA; ISO 23411 & ABYC P22

Polyurethane grip, equidistant spoke steering wheels – hub included

V70



V70B 39442D

Ø 350 mm (13.8") - Depth: 93 mm (3.66")
Black polyurethane grip, stainless steel spokes



V70G 39441B

Ø 350 mm (13.8") - Depth: 93 mm (3.66")
Grey polyurethane grip, stainless steel spokes



V70W 39929J

Ø 350 mm (13.8") - Depth: 93 mm (3.66")
White polyurethane grip, stainless steel spokes

Grip material	Polyurethane
Grip color	Black, white, grey
Spokes	Silver painted or polished black or chrome painted
Floating cap	n.a.
Standard 3/4" hub	Included
QDH hub	n.a.
Certification & standards	CE, UKCA, NMMA; ISO 23411 & ABYC P22

V78**Polyurethane grip, equidistant spoke steering wheels – hub included****V78 B/PB 26258N**

Ø 350 mm (13.8") - Depth: 98 mm (3.85")
 Black polyurethane grip, polished black spokes,
 black cover

**V78 B/MB 26259R**

Ø 350 mm (13.8") - Depth: 98 mm (3.85")
 Black polyurethane grip, matt black spokes,
 black cover

**V78 B/VE 26260Z**

Ø 350 mm (13.8") - Depth: 98 mm (3.85")
 Black polyurethane grip, silver painted spokes,
 black cover

Grip material	Polyurethane
Grip color	Black or white
Spokes	ABS painted coated body
Floating cap	Available upon request
Standard 3/4" hub	Included
QDH hub	n.a.
Certification & standards	CE, UKCA, NMMA; ISO 23411 & ABYC P22

Polyurethane grip, equidistant spoke steering wheels – hub included

V78



V78 B/CH 26261B

Ø 350 mm (13.8") - Depth: 98 mm (3.85")
Black polyurethane grip, polished silver painted spokes,
black cover



V78 B/CB 26262D

Ø 350 mm (13.8") - Depth: 98 mm (3.85")
Black polyurethane grip, carbon look spokes,
black cover



V78 W/VE 26263F

Ø 350 mm (13.8") - Depth: 98 mm (3.85")
White polyurethane grip, silver painted spokes,
white cover

Grip material	Polyurethane
Grip color	Black or white
Spokes	ABS painted coated body
Floating cap	Available upon request
Standard 3/4" hub	Included
QDH hub	n.a.
Certification & standards	CE, UKCA, NMMA; ISO 23411 & ABYC P22

V56

Polyurethane grip, equidistant spoke steering wheels – hub included



V56 B/CH 21351A
 Ø 350 mm (13.8") - Depth: 95 mm (3.74")
 Black polyurethane grip and spokes
 with chrome plated inserts



V56 B/R 21524F
 Ø 350 mm (13.8") - Depth: 95 mm (3.74")
 Black polyurethane grip and spokes
 with red painted inserts



V56 W/CH 21406Z
 Ø 350 mm (13.8") - Depth: 95 mm (3.74")
 White polyurethane grip and spokes
 with chrome plated inserts



V56 G/CH 21407B
 Ø 350 mm (13.8") - Depth: 95 mm (3.74")
 Grey polyurethane grip and spokes
 with chrome plated inserts



KNOB/V56 23600F
 Knob for V56 steering wheels
 ordered as retrofit

Grip material	Polyurethane
Grip color	Black, white, grey
Spokes	Polyurethane with inserts
Floating cap	n.a.
Standard 3/4" hub	Included
QDH hub	n.a.
Certification & standards	CE, UKCA, NMMA; ISO 23411 & ABYC P22

Polyurethane grip, equidistant spoke steering wheels – hub included

V76



V76 B/VE 25915U

Ø 320 mm (12.6") - Depth: 92 mm (3.62")
Black polyurethane grip, silver painted spokes,
black cover



V76 B/PB 25916W

Ø 320 mm (12.6") - Depth: 92 mm (3.62")
Black polyurethane grip, polished black spokes,
black cover



V76 B/CH 25977T

Ø 320 mm (12.6") - Depth: 92 mm (3.62")
Black polyurethane grip, chrome painted spokes,
black cover



V76 W/VE 25927B

Ø 320 mm (12.6") - Depth: 92 mm (3.62")
White polyurethane grip, silver painted spokes,
white cover

Grip material	Polyurethane
Grip color	Black or white
Spokes	ABS painted coated body
Floating cap	n.a.
Standard 3/4" hub	Included
QDH hub	n.a.
Certification & standards	CE, UKCA, NMMA; ISO 23411 & ABYC P22



Asinara V B/SS/L 24732E
 Ø 350 mm (13.8") - Depth: 92 mm (3.62")
 Black vinyl grip,
 stainless steel spokes and cover



Asinara PU B/S/B 24730A
 Ø 350 mm (13.8") - Depth: 95mm (3.74")
 Black polyurethane grip,
 silver aluminum spokes, stainless steel cover



Asinara PU B/B/B 24731C
 Ø 350 mm (13.8") - Depth: 95mm (3.74")
 Black polyurethane grip,
 black aluminum spokes, stainless steel cover

Grip material	Vinyl or polyurethane
Grip color	Black
Spokes	Stainless steel or silver or black aluminum
Floating cap	Black leather with embossed logo
Standard 3/4" hub	Available upon request
QDH hub	X63 – 40119D not included
Certification & standards	Available upon request CE, UKCA, NMMA; ISO 23411 & ABYC P22

Polyurethane grip, equidistant spoke steering wheels

MONTECRISTO



Montecristo PU B/SS/CH 20470D
 Ø 350 mm (13.8") - Depth: 94 mm (3.7")
 Black polyurethane grip, stainless steel spokes,
 black painted cover



Montecristo PU B/S/S 20350T
 Ø 350 mm (13.8") - Depth: 98 mm (3.86")
 Black polyurethane grip, silver aluminum spokes,
 black painted cover



Montecristo PU B/B/CH 20351V
 Ø 350 mm (13.8") - Depth: 98 mm (3.86")
 Black polyurethane grip, black aluminum spokes,
 black painted cover



Montecristo PU B/B/P/CH 23590F
 Ø 350 mm (13.8") - Depth: 98 mm (3.86")
 Black polyurethane grip, black aluminum spokes
 with chrome plated inserts

Grip material	Polyurethane
Grip color	Black
Spokes	Stainless steel or silver or black aluminum
Center cap	Chrome plated or silver or black painted
Floating cap	Available upon request
Standard 3/4" hub	X63 – 40119D not included
QDH hub	Available upon request (to be specified when ordering the wheel)
Certification & standards	CE, UKCA, NMMA; ISO 23411 & ABYC P22



Giglio PU B/S/PB 25897V

Ø 350 mm (13.8") - Depth: 88 mm (3.46")

Black PU grip with polished black inserts, silver aluminum spokes, polished black cover



Giglio PU B/SS/PB 25898X

Ø 350 mm (13.8") - Depth: 88 mm (3.46")

Black PU grip with polished black inserts, stainless steel spokes, polished black cover



Giglio PU B/B/VE 25911K

Ø 350 mm (13.8") - Depth: 88 mm (3.46")

Black PU grip with silver painted inserts, black aluminum spokes, silver painted cover



Giglio PU B/B/PB 25943Z

Ø 350 mm (13.8") - Depth: 88 mm (3.46")

Black PU grip with silver painted inserts, black aluminum spokes, black painted cover

Grip material	Vinyl or polyurethane
Grip color	Black
Spokes	Stainless steel or silver or black aluminum
Center cap	Black painted
Floating cap	n.a.
Standard 3/4" hub	Included
QDH hub	Available upon request (to be specified when ordering the wheel)
Certification & standards	CE, UKCA, NMMA; ISO 23411 & ABYC P22

Vinyl or polyurethane grip, equidistant spoke steering wheels

GALLINARA



Gallinara V B/SS 25899Z
 Ø 320 mm (13.8") - Depth: 88 mm (3.46")
 Black vinyl grip, stainless steel spokes, black cover



Gallinara V W/SS 25922R
 Ø 320 mm (13.8") - Depth: 88 mm (3.46")
 White vinyl grip, stainless steel spokes, white cover



Gallinara PU B/SS 25881D
 Ø 320 mm (13.8") - Depth: 88 mm (3.46")
 Black polyurethane grip, stainless steel spokes, black cover

Grip material	Vinyl or polyurethane
Grip color	Black or white
Spokes	Stainless steel
Floating cap	n.a.
Standard 3/4" hub	Included
QDH hub	Available upon request (to be specified when ordering the wheel)
Certification & standards	CE, UKCA, NMMA; ISO 23411 & ABYC P22

MELORIA - MANNA

Polyurethane grip, equidistant spoke steering wheels



Meloria PU B/S 26268S
 Ø 350 mm (13.8") - Depth: 85 mm (3.35")
 Black polyurethane grip, silver aluminum spokes



Meloria PU B/B/CH 26269U
 Ø 350 mm (13.8") - Depth: 85 mm (3.35")
 Black polyurethane grip, black aluminum spokes, chrome plated cover



Manna PU B/B/B 25896T
 Ø 350 mm (13.8") - Depth: 95 mm (3.74")
 Black polyurethane grip, black stainless steel spokes, black cover



Manna PU B/B/CB 25897V
 Ø 350 mm (13.8") - Depth: 95 mm (3.74")
 Black polyurethane grip, black stainless steel spokes, carbon look cover

	MANNA	MELORIA
Grip material		Polyurethane
Grip color		Black
Spokes	Stainless steel	Silver or black aluminum
Floating cap		n.a.
Standard 3/4" hub	Included	X63 – 40119D not included
QDH hub	Available upon request (to be specified when ordering the wheel)	
Certification & standards	CE, UKCA, NMMA; ISO 23411 & ABYC P22	

Polyurethane grip
steering wheels

PIANOSA - DOMINO TAVOLARA - CAPRAIA



Pianosa B/S 22322Y

Ø 350 mm (13.8") - Depth: 88 mm (3.46")
Black polyurethane grip, silver aluminum spokes,
polished aluminum ring



Pianosa B/B 22960H

Ø 350 mm (13.8") - Depth: 88 mm (3.46")
Black polyurethane grip, black aluminum spokes,
black painted aluminum ring



Domino PU B/S/S 23895E

Ø 350 mm (13.8") - Depth: 88 mm (3.46")
Black polyurethane grip,
silver aluminum spokes and ring



Tavolara PU B/S/CH 65277N

Ø 350 mm (13.8") - Depth: 89 mm (3.5")
Black polyurethane grip, silver aluminum spokes,
chrome plated cover



CAPRAIA B/S 22958X

Ø 350 mm (13.8") - Depth: 84mm (3.3")
Black polyurethane grip,
silver aluminum spokes

	PIANOSA	DOMINO	TAVOLARA	CAPRAIA
Grip material		Polyurethane		
Grip color		Black		
Spokes		Silver or black aluminum		
Floating cap		n.a.		
Standard 3/4" hub		X63 – 40119D not included		
QDH hub		Available upon request (to be specified when ordering the wheel)		
Certification & standards		CE, NMMA; ISO 23411 & ABYC P22		

USTICA - LEVANZO

Polyurethane grip, equidistant spoke steering wheels



Ustica PU B/S/B 20926X
 Ø 330 mm (13") - Depth: 90 mm (3.54")
 Black polyurethane grip, silver aluminum spokes,
 black painted cover



Ustica PU B/B/B 21622F
 Ø 330 mm (13") - Depth: 90 mm (3.54")
 Black polyurethane grip, black aluminum spokes,
 black painted cover



Levanzo PU B/S/CH 20927Z
 Ø 330 mm (13") - Depth: 90 mm (3.54")
 Black polyurethane grip with chrome plated inserts,
 silver aluminum spokes, chrome plated cover



KNOB/UST 21721H
 Knob for Ustica & Levanzo
 steering wheels

	USTICA	LEVANZO
Grip material	Polyurethane	Polyurethane with chrome plated inserts
Grip color	Black	Black
Spokes	Silver or black aluminum	Silver aluminum
Floating cap	n.a.	n.a.
Standard 3/4" hub	X63 – 40119D not included	X63 – 40119D not included
QDH hub	Available upon request	Available upon request
Certification & standards	CE, NMMA; ISO 23411 & ABYC P22	CE, NMMA; ISO 23411 & ABYC P22



Nisida B/S 61813P
 Ø 350 mm (13.8") - Depth: 85 mm (3.35")
 Black polyurethane grip,
 silver aluminum spokes



Nisida B/B 61812M
 Ø 350 mm (13.8") - Depth: 85 mm (3.35")
 Black polyurethane grip,
 black aluminum spokes



Palmaria B/B 63727H
 Ø 350 mm (13.8") - Depth: 88 mm (3,46")
 Black polyurethane grip,
 black aluminum spokes

	NISIDA	PALMARIA
Grip material	Polyurethane	Polyurethane
Grip color	Black	Black
Spokes	Silver or black anodized aluminum	Black anodized aluminum
Floating cap	n.a.	n.a.
Standard 3/4" hub X63	- 40119D not included	- 40119D not included
QDH hub	Available upon request	Available upon request
Certification & standards	CE, NMMA; ISO 23411 & ABYC P22	CE, NMMA; ISO 23411 & ABYC P22



Pantelleria B/S 22232X
 Ø 320 mm (12.6") - Depth: 90 mm (3.58")
 Black polyurethane grip, silver aluminum spokes



Pantelleria B/B 25102Z
 Ø 320 mm (12.6") - Depth: 90 mm (3.58")
 Black polyurethane grip, black aluminum spokes



Giannutri PU B/SS 23477P
 Ø 280 mm (11") - Depth: 69 mm (2.7")
 Black polyurethane grip, stainless steel spokes,
 polished aluminum ring



Giannutri PU W/SS 23476H
 Ø 280 mm (11") - Depth: 69 mm (2.7")
 White polyurethane grip, stainless steel spokes,
 polished aluminum ring

	PANTELLERIA	GIANNUTRI
Grip material	Polyurethane	Polyurethane
Grip color	Black	Black or white
Spokes	Silver or black aluminum	Polished Stainless steel
Floating cap	n.a.	n.a.
Standard 3/4" hub	X63 – 40119D not included	X63 – 40119D not included
QDH hub	Available upon request	Available upon request
Certification & standards	CE, NMMA; ISO 23411 & ABYC P22	CE, NMMA; ISO 23411 & ABYC P22



Corsica B/S 383330
 Ø 350 mm (13.8") - Depth: 88 mm (3.46")
 Black soft touch grip,
 silver aluminum spokes



Corsica B/B 38332N
 Ø 350 mm (13.8") - Depth: 88 mm (3.46")
 Black soft touch grip,
 black aluminum spokes



Corsica W/S 38334P
 Ø 350 mm (13.8") - Depth: 88 mm (3.46")
 White soft touch grip,
 silver aluminum spokes



Corsica G/S 38393H
 Ø 350 mm (13.8") - Depth: 88 mm (3.46")
 Grey soft touch grip,
 silver aluminum spokes

Grip material	Soft touch composite material
Grip color	Black, white, grey
Spokes	Silver or black anodized aluminum
Floating cap	n.a.
Standard 3/4" hub	X63 – 40119D not included
QDH hub	Available upon request
Certification & standards	CE, NMMA; ISO 23411 & ABYC P22



Razzoli M/BR/BR 23612N
 Ø 350 mm (13.8") - Depth: 85,5 mm (3.37")
 Mahogany grip, stainless steel spokes, burl cover



Razzoli M/SS/BR 24703X
 Ø 350 mm (13.8") - Depth: 85,5 mm (3.37")
 Mahogany grip, stainless steel spokes and cover



Capri 62465Y
 Ø 320 mm (12.6") - Depth: 87 mm (3.43")
 Mahogany grip, silver aluminum spokes

	RAZZOLI	CAPRI
Grip material	Mahogany	Mahogany
Grip color	Mahogany	Mahogany
Spokes	Stainless steel	Silver anodized aluminum
Floating cap	Available upon request	n.a.
Standard 3/4" hub	X63 – 40119D not included	X63 – 40119D not included
QDH hub	Available upon request	Available upon request
Certification & standards	CE, NMMA; ISO 23411 & ABYC P22	CE, NMMA; ISO 23411 & ABYC P22



V99 B/B/CH 43015G

Ø 350 mm (13.8") - Depth: 78 mm (3")

Black soft touch grip, chrome plated inserts and black cover



V99 B/CH/CH 43016J

Ø 350 mm (13.8") - Depth: 78 mm (3")

Black soft touch grip, chrome plated inserts and cover



V99 B/S/S 43404U

Ø 350 mm (13.8") - Depth: 78 mm (3")

Black soft touch grip, silver inserts and cover



V99 B/CB/CB 43405W

Ø 350 mm (13.8") - Depth: 78 mm (3")

Black soft touch grip, carbon inserts and cover

Grip material	Soft touch antishock thermoplastic
Grip color	Black
Spokes	Thermoplastic material with inserts
Floating cap	n.a.
Standard 3/4" hub	Included
QDH hub	n.a.
Certification & standards	CE, NMMA; ISO 23411 & ABYC P22

V19 Soft touch grip steering wheels



V19 B/PB 44115S
 Ø 350 mm (13.8") - Depth: 93 mm (3.66")
 Black soft touch grip, polished black inserts



V19 B/MB 44156G
 Ø 350 mm (13.8") - Depth: 93 mm (3.66")
 Black soft touch grip, matte black inserts



V19 B/B 44264K
 Ø 350 mm (13.8") - Depth: 93 mm (3.66")
 Black soft touch grip, embossed black inserts



V19 B/MT 44157J
 Ø 350 mm (13.8") - Depth: 93 mm (3.66")
 Black soft touch grip, matte titanium inserts



V19 B/VE 44158L
 Ø 350 mm (13.8") - Depth: 93 mm (3.66")
 Black soft touch grip, silver painted inserts

Grip material	Soft touch antishock thermoplastic
Grip color	Black
Spokes	Thermoplastic material with inserts
Floating cap	n.a.
Standard 3/4" hub	Included
QDH hub	Available upon request
Certification & standards	CE, NMMA; ISO 23411 & ABYC P22



V16 B/B 44272J
 Ø 350 mm (13.8") - Depth: 90 mm (3.54")
 Black soft touch grip, black spokes



V16 B/G 44273L
 Ø 350 mm (13.8") - Depth: 90 mm (3.54")
 Black soft touch grip, gray spokes



V16 G/B 44274N
 Ø 350 mm (13.8") - Depth: 90 mm (3.54")
 Gray soft touch grip, black spokes



V16 W/W 44275R
 Ø 350 mm (13.8") - Depth: 90 mm (3.54")
 White soft touch grip, white spokes

Grip material	Soft touch antishock thermoplastic
Grip color	Black, gray or white
Spokes	Thermoplastic material
Floating cap	Available upon request
Standard 3/4" hub	Included
QDH hub	n.a.
Certification & standards	CE, NMMA; ISO 23411 & ABYC P22

V60-V38-V45-V32-V33

Composite material, soft touch grip
(V60- V45-V38) steering wheels - hub included



V60B 39189U - Ø 350 mm (13.8")



V60W 39190C - Ø 350 mm (13.8")



V38B 36517Q - Ø 350 mm (13.8")



V45B 37920H - Ø 280 mm (11")



V45W 38049P - Ø 280 mm (11")



V45G 39291J - Ø 280 mm (11")



V32B 35458X - Ø 335 mm (13.2")



V32W PU 35509R - Ø 335 mm (13.2")



V33B 35819L - Ø 342 mm (13.4")

Polyurethane grip, equidistant spoke steering wheels – hub included

V25-V21-V01-V28



V25B 40640R - Ø 350 mm (13.8")



V25W 40642V - Ø 350 mm (13.8")



V25G 40641T - Ø 350 mm (13.8")



V21B PU 42328Z - Ø 350 mm (13.8")



V21W PU 42324R - Ø 350 mm (13.8")



V01B 41687Z - Ø 350 mm (13.8")



V01W 41688B - Ø 350 mm (13.8")



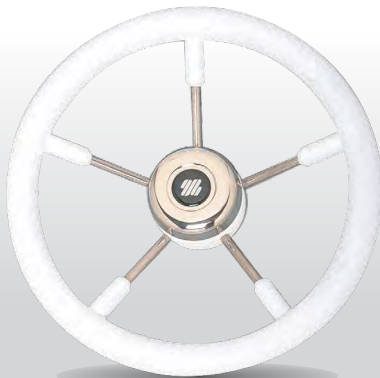
V28W 42503R - Ø 280 mm (11")



V28B 42502N - Ø 280 mm (11")

V57-V52-V31-V58-V53

Polyurethane grip, equidistant spoke steering wheels - hub included



V57B 38155O - Ø 350 mm (13.8")

V57W 38157Q - Ø 350 mm (13.8")

V57G 38156P - Ø 350 mm (13.8")



V52B 40631P - Ø 320 mm (12.6")

V52W 40633U - Ø 320 mm (12.6")

V52G 40632S - Ø 320 mm (12.6")



V31B 43006F - Ø 320 mm (12.6")

V58G 38650F - 400 mm (15.7")

V53B 40634W - Ø 450 mm (17.7")

Wood grip, equidistant spoke steering wheels
hub included

WOOD GRIP



V25M 40644Z - Ø 350 mm (13.8")



V66 39424B - Ø 350 mm (13.8")



V62 39263D - Ø 350 mm (13.8")



V67 39425D - Ø 400 mm (15.7")



V74/40 41115A - Ø 400 mm (15.7")



V63 39264F - Ø 450 mm (17.7")



V85 42416W - Ø 500 mm (19.7")



KNOB/67 40677R

STAINLESS STEEL GRIP

Stainless steel, equidistant spoke steering wheels - hub included



V01SS 41692S - Ø 350 mm (13.8")



V25SS 40643X - Ø 350 mm (13.8")



V10SS 41699G - Ø 350 mm (13.8")



V35 31602H - Ø 345 mm (13.6")



V65 39436J - Ø 370 mm (14.6")



V23 32397D - Ø 400 mm (15.7")

KNOBS



KNOB/21 42371A



KNOB/67 40677R

KNOBS



KNOB/UST 21721H



KNOB/V56 23600F



KNOB/SK 25458S



CAPTIVA BK & KEYWEST BLCK wheels with factory knob installed

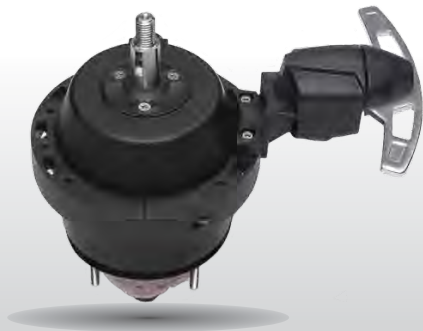
PADDLE TRIM

For complete control of engine trim and tilt, trim tabs, jackplates, PowerPole(R) and other on board systems, the innovative Paddle Trim system is the answer.

Adaptable to existing front mount hydraulic and tilt helms (UP18 and UP20F excluded), the Paddle Trim is ergonomically designed to allow the driver to make precise adjustments to the attitude of the boat or other systems without removing his hand from the steering wheel.

PTS-1 43051L Single paddle kit including one paddle and the brackets to attach to a tilt or to a front mount helm

PTS-2 43052N Two paddles and the brackets to attach it to a tilt or to a front mount helm



PTS-1



PTS-2

Features

- Available both in single and dual versions (for either two equal or two different outputs).
- Both single or dual paddle can be positioned at various angles for the most comfortable choice.
- Equipped with one water proof "MOM.ON-OFF-MOM.ON" switch (2 switches on dual version).
- Max load 2 Amp @ 12VDC.
- Suitable for any kind of steering wheel dish. Max wheel dia. 400 mm (15.7").
- Easy to install on the following Ultraflex® steering systems:
 - front and tilt mount hydraulic helms
 - tilt mount mechanical helms
- Wiring harness, labels and mounting hardware kit are included. The mounting plate, which differs between front and tilt mount installation, is to be ordered separately.



Single or dual



Adjustable positioning



Tilt or front mount

KIT KRT

Kit relay available KTR - 42860S

- It allows a Paddle Trim pair to control electrical loads up to 10 Amp (e.g. Trim Tabs Uflex®).
- Easy to use and to install, through connectors with pre-crimped contacts.



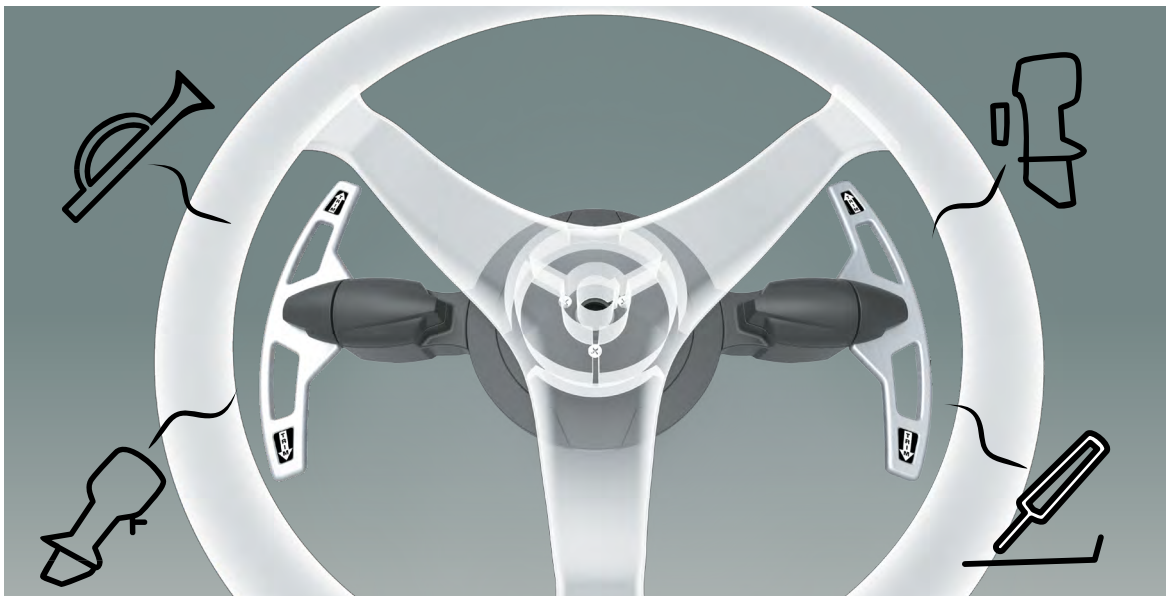
KRT KIT

PADDLE TRIM

	ENGINE TRIM & TILT	JACKPLATE	TRIM TABS	HORN
UP				
DOWN				

PADDLE TRIM LABELS

DESCRIPTION	P. No	SINGLE QTY	DUAL QTY
- Single function control device	42857D	1	2
- Mounting plate for tilt mount helms (mechanical or hydraulic)	42858F	1	1
or:			
- Mounting plate for front mount hydraulic helms	42859H	1	1
- KTR kit relay for loads exceeding 5 Amp	42860S	1	2



QDH HUB & ACCESSORIES

QDH - Quick Disconnect Hub steering wheel accessories

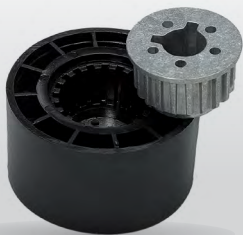
QDH – Quick Disconnect Hub allows for easy removal of the steering wheel from the cockpit
Suitable with Ultraflex® steering wheels: please refer to the steering wheel application chart



QDH - 23013D - Quick connect removable hub for standard 3/4" tapered shaft

Suitable with Ultraflex® steering wheels:
please refer to steering wheel application chart

Protection cover with Ultraflex logo
Also available with customized logo
(minimum quantity ordered: 20 pieces).



X63 Standard Hub 40119D



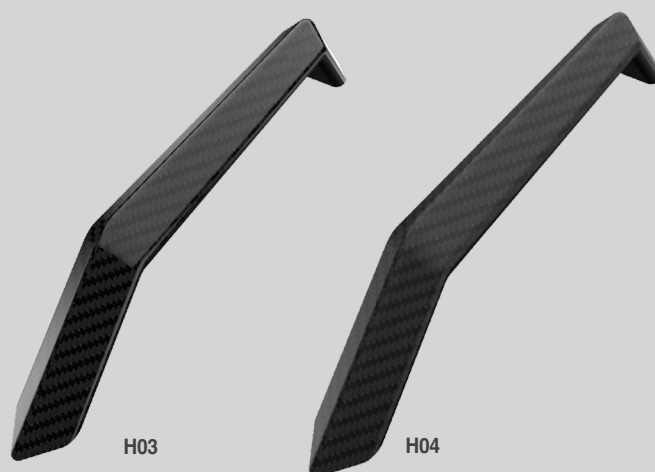
Protection cover 22824Z

X63 HUB TO BE ORDERED SEPARATELY	40119D	Asinara, Capraia, Capri, Corsica, Domino, Giannutri, Levanzo, Meloria, Montecristo, Nisida, Palmaria, Pantelleria, Pianosa, Razzoli, Tavolara, Ustica
KNOB UST	21721H	Asinara PU, Domino, Falier PU, Giannutri, Imperiale PU, Levanzo, Montecristo, Ustica
KNOB 21	42371A	V01SS, V10SS, V23, V25SS, V35, V65
KNOB 67	40677R	V62, V63, V66, V67, V74/40, V85
KNOB SK	25458S	Captiva, Contarini, Siestakey
KNOB V56	23600F	Adorno PU, Foscari PU, Morosini PU, V56
FLOATING CAP		Asinara, Barbarigo, Contarini, Dolfin, Falier, Grimani, Gritti, Guarco, Imperiale, Loredan, Manin, Montecristo, Oderico, Razzoli, Soranzo, Spinola, Tron, Vendramin, Vivaldi, V16, V19, V78
QDH-QUICK DISCONNECT HUB	23013D	Adorno, Asinara, Capraia, Capri, Corsica, Domino, Foscari, Fregoso, Gallinara, Giannutri, Giglio, Grimani, Gritti, Levanzo, Loredan, Manin, Manna, Meloria, Montecristo, Morosini, Nisida, Palmaria, Pantelleria, Pianosa, Razzoli, Tavolara, Ustica
PADDLE TRIM WITH TILT		Adorno, Asinara, Capraia, Capri, Captiva, Corsica, Contarini, Dolfin, Domino, Doria, Falier, Fregoso, Foscari, Gallinara, Giannutri, Giglio, Gritti, Grimani, Guarco, Imperiale, Keywest, Levanzo, Loredan, Manin, Montecristo, Morosini, Nisida, Oderico, Palmaria, Pantelleria, Pianosa, Razzoli, Siestakey, Spinola, Tavolara, Ustica, V01, V10, V16, V19, V21, V35, V56, V57, V62, V66, V70, V75, V76, V78
PADDLE TRIM WITH FRONT MOUNT HELM		Adorno, Asinara, Captiva, Capraia, Contarini, Corsica, Dolfin, Domino, Doria, Falier, Foscari, Fregoso, Grimani, Gritti, Guarco, Imperiale, Levanzo, Loredan, Manin, Montecristo, Morosini, Nisida, Oderico, Palmaria, Pantelleria, Pianosa, Razzoli, Siestakey, Soranzo, Tavolara, Ustica, Vivaldi, V01, V10, V21, V25, V35, V56, V57, V62, V66, V70, V99
PROTECTION COVER	22824Z	Adorno, Asinara, Barbarigo, Boccanegra, Capraia, Captiva, Corsica, Contarini, Dolfin, Domino, Doria, Falier, Foscari, Fregoso, Giglio, Gritti, Grimani, Guarco, Imperiale, Keywest, Loredan, Manna, Meloria, Montecristo, Morosini, Nisida, Oderico, Pianosa, Razzoli, Soranzo, Spinola, Tavolara, Tron, Vendramin, Vivaldi, V01, V10, V16, V19, V21, V25, V38, V56, V57, V60, V62, V66, V70, V75, V78, V99

HANDLES

Handles with a comfortable grip made of stainless steel, stainless steel with inserts, polished carbon or matte carbon and PU.

Total length 500 mm (different sizes available)



H01	25940T	Stainless steel and polyurethane handle
H02	25949M	Stainless steel handle and polyurethane with insert
H03	25941V	Polished carbon handle
H04	25942X	Matte carbon handle



VERO VOLANTE ITALIANO

“VERO VOLANTE ITALIANO”

is the registered trademark which distinguishes the steering wheels for pleasure boats produced by Ultraflex.

They are conceived by Italian designers, engineered and manufactured in Italy by employing genuine Italian components and technologies according to Ultraflex quality management system.

All ULTRAFLEX steering wheels meet the directive 2013/53/EU requirements about pleasure boats.

All steering wheels are CE, UKCA and NMMA marked in conformity with the ISO 23411 and ABYC P22 safety standards.



6442 Parkland Drive
Sarasota, FL 34243
Ph: +1.941.351.2628
Email: sales@uflexusa.com
www.uflexusa.com

